

LIMITED LIFETIME WARRANTY

SpeakerCraft Inc. warrants to the original retail purchaser **only** that this SpeakerCraft product will be free from defects in materials and workmanship, provided the speaker was purchased from a SpeakerCraft Authorized Dealer.

Defective products must be shipped, together with proof of purchase, prepaid insured to the SpeakerCraft Authorized Dealer from whom they were purchased, or to the SpeakerCraft factory at the address listed on this installation instruction manual. Freight collect shipments will be refused. It is preferable to ship this product in the original shipping container to lessen the chance of transit damage. In any case, the risk or loss or damage in transit is to be borne by the purchaser. If, upon examination at the Factory or SpeakerCraft Authorized Dealer, it is determined that the unit was defective in materials or workmanship at any time during this warranty period, SpeakerCraft or the SpeakerCraft Authorized Dealer will, at its option, repair or replace this product at no additional charge, except as set forth below. If this model is no longer available and can not be repaired effectively, SpeakerCraft, at its sole option may replace the unit with a current model of equal or greater value. In some cases where a new model is substituted, a modification to the mounting surface may be required. If mounting surface modification is required, SpeakerCraft assumes no responsibility or liability for such modification. All replaced parts and product become the property of SpeakerCraft Inc. Products replaced or repaired under this warranty will be returned to the original retail purchaser, within a reasonable time, freight prepaid.

This Warranty does not include service or parts to repair damage caused by accident, disaster, misuse, abuse, negligence, inadequate packing or shipping procedures, commercial use, voltage inputs in excess of the rated maximum of the unit, or service, repair or modification of the product which has not been authorized or approved by SpeakerCraft. This Warranty also excludes normal cosmetic deterioration caused by environmental conditions. This Warranty will be void if the Serial Number on the product has been removed, tampered with or defaced.

This Warranty is in lieu of all other expressed warranties. If the product is defective in materials or workmanship as warranted above, the purchaser's sole remedy shall be repair or replacement as provided above. In no event will SpeakerCraft be liable for any incidental or consequential damages arising out of the use or inability to use the product, even if SpeakerCraft Inc. or a SpeakerCraft Inc. Authorized Dealer has been advised of the possibility of such damages, or for any claim by any other party. Some states do not allow the exclusion or limitation of consequential damages, so the above limitation and exclusion may not apply.

All implied warranties on the product are limited to the duration of this expressed Warranty. Some states do not allow limitation on the length of an implied warranty. If the original retail purchaser resides in such a state, this limitation does not apply.



SpeakerCraft®

Should you have any questions regarding this, or any other SpeakerCraft product, please call our toll-free service hotline at 1-800-448-0976. We are available to assist you every weekday, except holidays, between the hours of 7:00 a.m. and 5:00 p.m. PST.

OWNER'S MANUAL

Outdoor Elements Series

OE8 ONE/THREE ▪ OE6 ONE/THREE ▪ OE5 ONE/THREE

OE6 DT ONE ▪ OE5 DT ONE

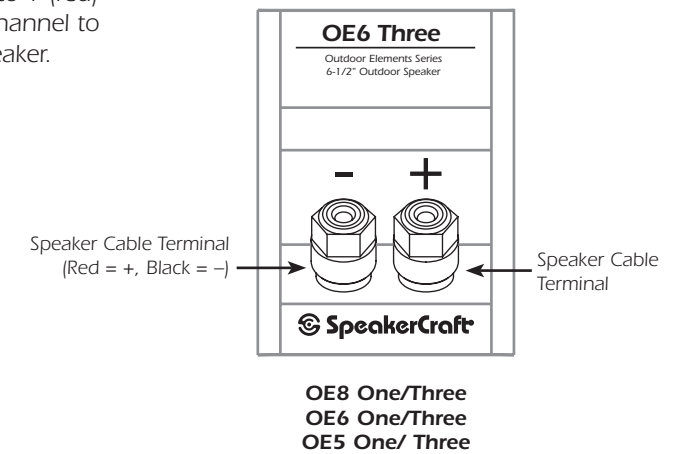
WIRING

Please use Diagrams 1 & 2 below to familiarize yourself with the rear panel of your outdoor speaker.

OE8 ONE/THREE ▪ OE6 ONE/THREE ▪ OE5 ONE/THREE:

Attach the speaker cable to the speaker cable terminals, observing the proper polarity with your amplifier, + to + (red) and - to - (black). Make sure to connect the right channel to the right speaker and the left channel to the left speaker.

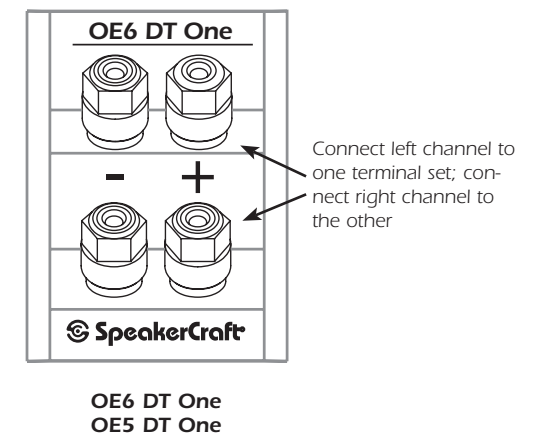
**Diagram 1:
Speaker Cable Terminals**



OE6 DT ONE ▪ OE5 DT ONE:

Attach the speaker cable, observing the proper polarity with your amplifier, + to + (red) and - to - (black). Either channel may be attached to either terminal set, however, be sure that polarity (+ and -) is correct on each channel or the performance of the speaker will be seriously affected as one channel will cancel out the other.

**Diagram 2:
DT Speaker Cable Terminals**

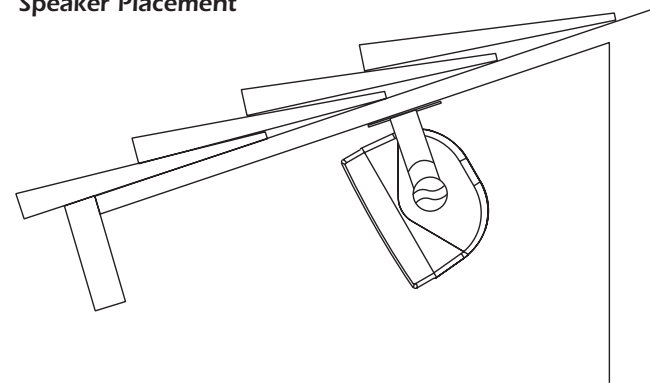


PLACEMENT

Placement Under Eaves and Outdoors

When mounting your speakers outdoors, the eaves of the roof provide an ideal location. They reduce the exposure of constant direct sunlight, salt spray, and precipitation. If installing speakers on a boat, the wheelhouse provides the best location for the same reasons. Following these suggestions will help to ensure that your speakers will last a lifetime.

**Diagram 3:
Speaker Placement**



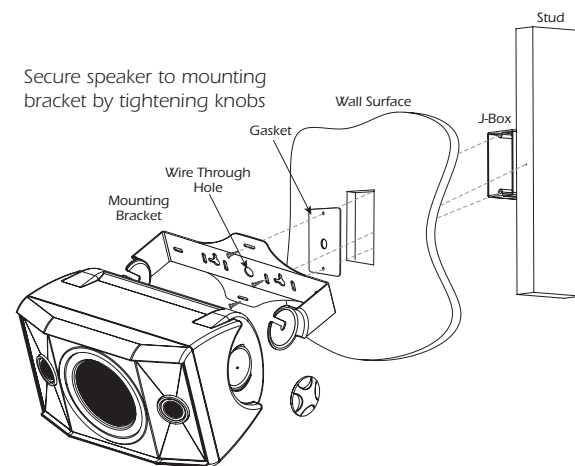
Placement on a Wall or Bookshelf

When placing your speakers on a wall or bookshelf, optimal sound will be achieved if they are mounted at ear level or slightly higher. The usual listening area should be no closer to the speakers than the distance between the speakers themselves.

Pre-Construction Installation

The bracket is designed to mount horizontally or vertically onto a standard junction box. In addition, SpeakerCraft recommends that the bracket also be mounted directly to the stud for added support. See Diagram 4

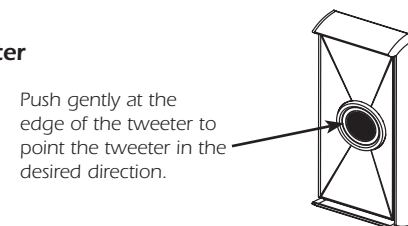
**Diagram 4:
Pre-Construction Installation**



ADJUSTING THE PIVOTING TWEETER(S)

Depending upon your listening area, you may find the sound more pleasing by pointing the tweeters in a particular direction. If additional treble is desired, simply point the tweeter(s) towards that area; if less treble is required, point the tweeter(s) away.

**Diagram 5:
Pivoting Tweeter**



SPEAKER SPECIFICATIONS

Speaker Type:	OE8 Three 3-Way Outdoor Speaker	OE8 One 3-Way Outdoor Speaker	OE6 Three 2-Way Outdoor Speaker
Low Frequency Driver:	8" Aluminum Cone Woofer	8" IMG Cone Woofer	6½" Aluminum Cone Woofer
High Frequency Driver:	Independently Pivoting 1" Aluminum Dome Tweeter & a 2½" Aluminum Dome Midrange	Independently Pivoting 1" Silk Dome Tweeter & a 2½" IMG Midrange	Independently pivoting 1" Aluminum Dome Tweeter
Efficiency:	90dB 1W/1m	89dB 1W/1m	90dB 1W/1m
Power Recommendations:	5 - 150 watts (undistorted)	5 - 150 watts (undistorted)	5 - 125 watts (undistorted)
Impedance:	4 ohms	4 ohms	4 ohms
Frequency Response:	40Hz - 20kHz ± 3dB	42Hz - 20kHz ± 3dB	50Hz - 20kHz ± 3dB
Dimensions (W x H x D):	15¾"x 8¾"x 8⅜"	15¾"x 8¾"x 8⅜"	11 1/16"x 7"x 6⅝"
Speaker Type:	OE6 One 2-Way Outdoor Speaker	OE5 Three 2-Way Outdoor Speaker	OE5 One 2-Way Outdoor Speaker
Low Frequency Driver:	6½" IMG Cone Woofer	5¼" Aluminum Cone Woofer	5¼" IMG Cone Woofer
High Frequency Driver:	Independently pivoting 1" Treated Silk Dome Tweeter	Independently pivoting 1" Aluminum Dome Tweeter	Independently pivoting 1" Treated Silk Dome Tweeter
Efficiency:	89dB 1W/1m	89dB 1W/1m	89dB 1W/1m
Power Recommendations:	5 - 125 watts (undistorted)	5 - 100 watts (undistorted)	5 - 100 watts (undistorted)
Impedance:	4 ohms	4 ohms	4 ohms
Frequency Response:	52Hz - 20kHz ± 3dB	52Hz - 20kHz ± 3dB	54Hz - 20kHz ± 3dB
Dimensions (W x H x D):	11 1/16"x 7"x 6⅝"	9¼"x 6½"x 6 15/16"	9¼"x 6½"x 6 15/16"
Speaker Type:	OE6 DT One 2-Way Stereo Outdoor Speaker	OE5 DT One 2-Way Stereo Outdoor Speaker	
Low Frequency Driver:	6½" DVC IMG Cone Woofer	5¼" DVC IMG Cone Woofer	
High Frequency Driver:	Two Independently pivoting 1" Treated Silk Dome Tweeters	Two Independently pivoting 1" Treated Silk Dome Tweeters	
Efficiency:	90dB 1W/1m	89dB 1W/1m	
Power Recommendations:	5 - 125 watts (undistorted)	5 - 100 watts (undistorted)	
Impedance:	4 ohms	4 ohms	
Frequency Response:	68Hz - 20kHz ± 3dB	75Hz - 20kHz ± 3dB	
Dimensions (W x H x D):	12"x 6⅞"x 7"	11"x 7"x 7⅞"	

In our attempt to constantly improve our products, features and specifications are subject to change without notice.